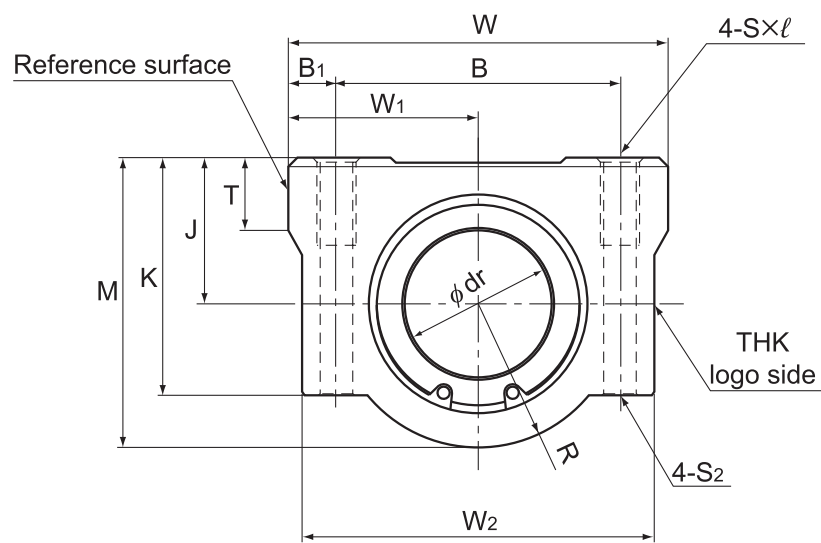


Models SC6 to 30



Models SC6 to 30

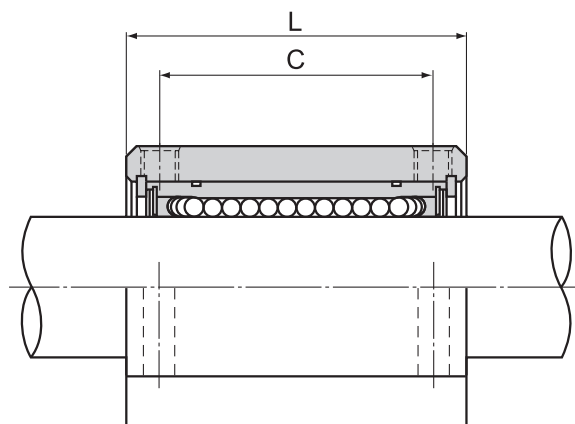
| Model No. | Outer dimensions | | | LM casing dimensions | | | | | | |
|-----------|------------------|------------|-------------|------------------------|----------------|----|--------------|--|-----------------------------|-------------------------|
| | Height M | Width W | Length L | Mounting hole position | | | Tap S × l | Through bolt model No, S ₂ | Center height J ±0.02 | W ₁ ±0.02 |
| | | | | B | B ₁ | C | | | | |
| SC 6UU | 18 | 30 | 25 | 20 | 5 | 15 | M4 × 8 | M3 | 9 | 15 |
| SC 8UU | 22 | 34 | 30 | 24 | 5 | 18 | M4 × 8 | M3 | 11 | 17 |
| SC 10UU | 26 | 40 | 35 | 28 | 6 | 21 | M5 × 12 | M4 | 13 | 20 |
| SC 12UU | 29 | 42 | 36 | 30.5 | 5.75 | 26 | M5 × 12 | M4 | 15 | 21 |
| SC 13UU | 30 | 44 | 39 | 33 | 5.5 | 26 | M5 × 12 | M4 | 15 | 22 |
| SC 16UU | 38.5 | 50 | 44 | 36 | 7 | 34 | M5 × 12 | M4 | 19 | 25 |
| SC 20UU | 42 | 54 | 50 | 40 | 7 | 40 | M6 × 12 | M5 | 21 | 27 |
| SC 25UU | 51.5 | 76 | 67 | 54 | 11 | 50 | M8 × 18 | M6 | 26 | 38 |
| SC 30UU | 59.5 | 78 | 72 | 58 | 10 | 58 | M8 × 18 | M6 | 30 | 39 |

Note) Since this model contains a synthetic resin retainer, do not use it at temperature exceeding 80°C.

A stainless steel Linear Bushing model LM-MG, which is highly corrosion resistant, can also be incorporated at your request.

Example of Model Number for Use in Combination with
Linear Bushing Units

| Linear Bushing to be combined | Example of model No. | |
|--|----------------------|----------------|
| Both end attached with seal | SC 13UU | Standard stock |
| Without seal | SC 13 | Build to order |
| Made of stainless steel; both end attached with seal | SC 13MUU | Build to order |



Unit: mm

| | | | | | | | Model No. of Linear Bushing to be combined | Basic load rating | | Unit Mass g |
|----|----------------|----|------|-------------------------|-------------|--------|--|-------------------|-----|-------------------|
| K | W ₂ | T | R | Inscribed bore diameter | | C | | C ₀ | | |
| | | | | dr | Tolerance | | | | N | |
| 15 | 28 | 6 | 9 | 6 | 0 -0.009 | LM6UU | 206 | 265 | 34 | |
| 18 | 32 | 6 | 11 | 8 | | LM8UU | 265 | 402 | 52 | |
| 22 | 37 | 8 | 13 | 10 | | LM10UU | 373 | 549 | 92 | |
| 25 | 39 | 8 | 14 | 12 | | LM12UU | 412 | 598 | 102 | |
| 26 | 41 | 8 | 15 | 13 | | LM13UU | 510 | 775 | 123 | |
| 35 | 46 | 9 | 19.5 | 16 | | LM16UU | 775 | 1180 | 189 | |
| 36 | 52 | 11 | 21 | 20 | 0 -0.010 | LM20UU | 863 | 1370 | 237 | |
| 41 | 68 | 12 | 25.5 | 25 | | LM25UU | 980 | 1570 | 555 | |
| 49 | 72 | 15 | 29.5 | 30 | | LM30UU | 1570 | 2750 | 685 | |

Note) If an oil hole is required, this can be indicated by appending "OH" to the end of the model number.
For further information, contact THK.