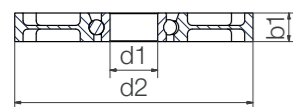




PA cage,
stainless steel balls

PA cage,
glass balls

- Larger outer diameter for smaller shafts
- Also used as roller in profiles



Order key

Type	Material
------	----------

BB-6004SW100-B180-10-ES

Ball bearings	Dimensions according to DIN 625-1	Skate wheel	Outer Ø	Race material	Cage material	Ball material
---------------	-----------------------------------	-------------	---------	---------------	---------------	---------------

Cage material

10 = PA

Options:

Ball material

ES = Stainless steel

GL = Glass

Technical data

Installation size	Radial load capacity		Max. speed [rpm]	Weight	
	stat. [N]	dyn. [N]		PA/ES [g]	PA/GL [g]
6004	245	294	1,400	58.81	58.81

Dimensions [mm]

Inner Ø d1	Outer Ø d2	Width b1	Part No.
20	100	12	BB-6004SW100-B180-10-



Order example:

BB-6004SW100-B180-10-ES = xiros® skate wheel with race material xirodur® B180. 100mm outer diameter, PA cage and stainless steel balls

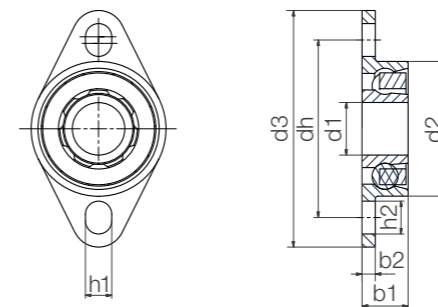


Available from stock



xirodur® B180 cage
Stainless steel balls

- For less precise holding fixtures



Order key

Type	Material
------	----------

BB-FL-608-B180-30-ES

Ball bearings	Fixed flange ball bearing	Dimensions according to DIN 625-1	Housing material	Cage material	Ball material
---------------	---------------------------	-----------------------------------	------------------	---------------	---------------

Cage material

30 = xirodur® B180

Ball material

ES = Stainless steel

Technical data

Installation size	Radial load capacity		Max. speed [rpm]	Weight B180/ES [g]
	stat. [N]	dyn. [N]		
626	60	62	3,200	2.89
608	80	92	2,200	3.65
6000	110	130	2,200	6.49
6001	130	147	2,000	7.68
6003	160	220	1,600	11.13
6004	250	320	1,400	25.06

Dimensions [mm]

d1	d2	d3	b1	b2	dh	h1	h2	Part No.
6	19	33.5	6	2	25	3	4.5	BB-FL-626-B180-30-ES
8	20.7	35.8	7	2	26.8	4	5	BB-FL-608-B180-30-ES
10	26	41	8	2	32	4	5	BB-FL-6000-B180-30-ES
12	28	44	8	2	35	4	5	BB-FL-6001-B180-30-ES
17	35	54	10	2.5	44	4	6	BB-FL-6003-B180-30-ES
20	42	84	12	4	63	8	12	BB-FL-6004-B180-30-ES



Order example:

BB-FL-608-B180-30-ES = Fixed flange ball bearing with xirodur® B180 housing, xirodur® B180 cage and stainless steel balls



Available from stock