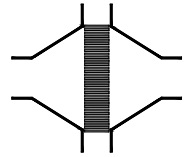




Type sheet

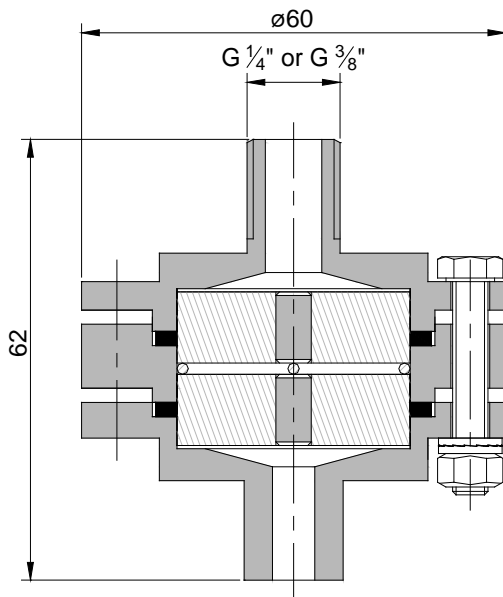
Condensate drain flame arrester -
End-of-line deflagration flame arrester endurance burning proof
KITO® SK/K-IIB1-...



Application

Fittings for screwing in armature housings, of endurance-burn proof pressure valves and combined PV valves for all inflammable liquids and vapors of explosion group IIB1 with MESG ≥ 0.85 mm. The condensate drain device enables draining of the condensate inside the housing to the outside and prevents flames from entering the valves.

Dimensions (mm)



Example for order

KITO® SK/K-IIB1-1/4"
(design with threaded connection G 1/4")

Type examination certificate to EN ISO 16852 and CE-marking in accordance to ATEX-Directive 2014/34/EU

Design

	standard	optionally
housing	stainless steel mat. no. 1.4571	
gasket	PTFE	
KITO®-Rost	Edelstahl 1.4571	
bolts / nuts	A4	
connection	thread G 1/4"	thread G 3/8"