

Submersible drainage pump with cooling jacket for clear and drainage water, for permanent operation.

C135 W

Application

Irrigation and drainage assignments in clean or dirty water. For circulation in garden ponds, fountains and water-courses, keeping trenches, shafts and rooms dry. Reduction of surface water. Emergency deployment for flooding. A cooling jacket with discharge connector at the top ensures sufficient motor cooling even at low water level (sip operation).

Installation: Stationary or mobile.

Pumped medium: Clear- or drainage water containing solids up to 8 mm particle size. Max. temperature of pumped medium: 35°C, for brief periods up to 60°C.

Operating mode: Continuous operation (S1).

Design

Submersible pump, consisting of:

Pump: Single-stage centrifugal pump with vertical discharge G1.

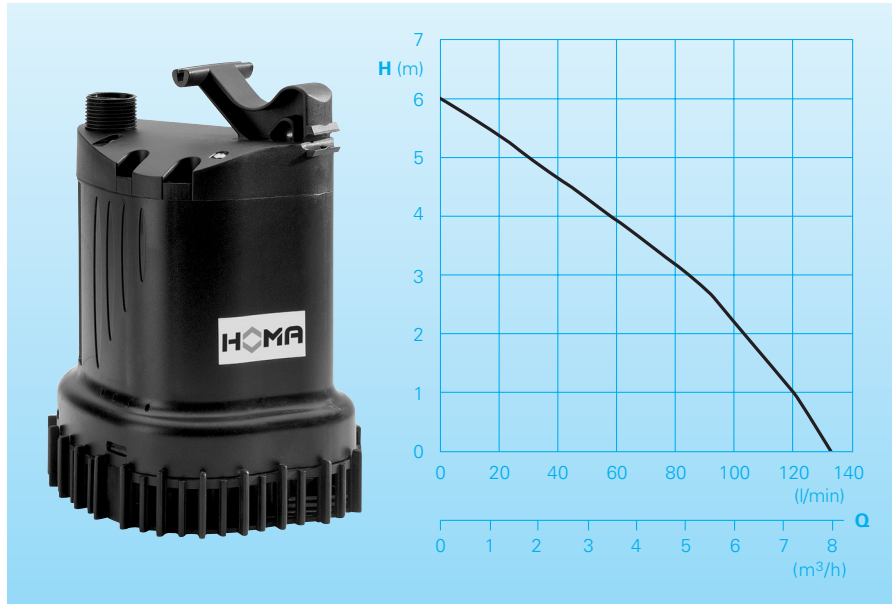
Impeller: Vortex impeller, free passage 8 mm, self-cleaning in case of blocked impeller by short-term reverse running of the motor.

Motor: Canned wet-rotor, seal-less, rotor shaft lubricated by pumped liquid. Insulation class B, protection rating IP 68.

Shaft/bearing: Stainless steel ceramic shaft, slide bearing.

Connecting cable: H05RN-F3G0,75

Conveying capacity



Technical data

Pump type	Motor input		Voltage 50 Hz (V)	Nominal current (A)	Connecting cable (m)	Weight (kg)
	P ₁ (kW)	P ₂ (kW)				
C135 W	0,14	0,10	230/1Ph	0,9	10 m	3,5

Rotational speed: 2900 rpm

Discharge: G1

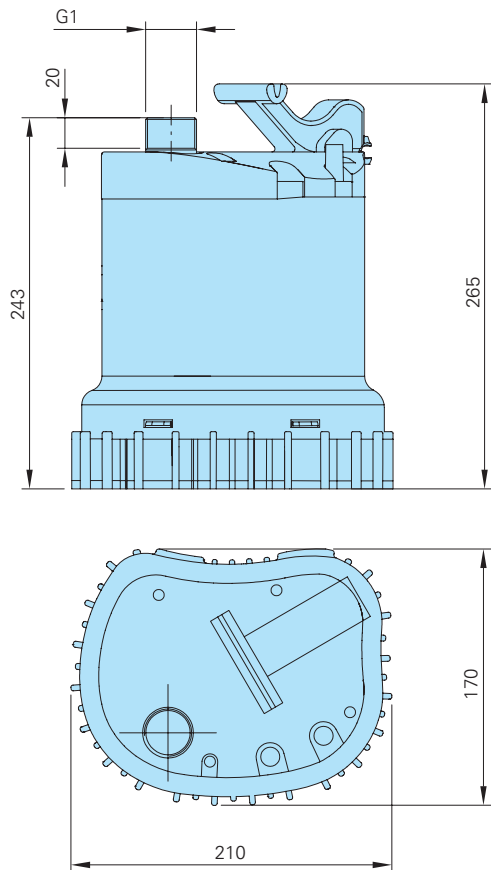
Materials

Motor housing, motor shaft, screws	Stainless steel
Suction sieve, pump housing	impact-resistant plastic
Impeller	glass fibre reinforced plastic
Elastomers	NBR

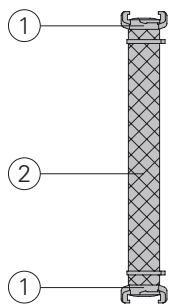
Scope of supply

Pump with 10 m of connecting cable and mains plug.

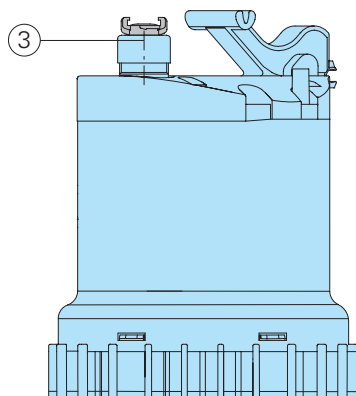
Dimensions (all dimensions in mm)



Accessories



Description	Size	Part no.
① Hose coupling, brass	1"	2003313
② PVC-hose, per m	1" Ø 25 mm	2621000
Plastic spiral hose, per m	1" Ø 25 mm	2632025
Hose clamp	¾"-1"	2302330
③ Fixed coupling, Brass	BSP 1" F	2005323
○ Fault-current circuit breaker 2-pin, Fi 16/0.03 A		1561160



We reserve the right to alter our specifications without notice!