

# BBS/DUH

## HIGH PRESSURE-THREE-WAY DIVERTER BALL VALVE WITH THREADED PORTS

DN 10-25 | PN 100-350



### MATERIALS

MATERIALS	PN	DN	Type 1	Type 2
Body	100-350	10-25	Steel	Steel
Ball	100-350	10-25	Steel, hard chromed	Steel, hard chromed
Sealings	100-350	10-25	Polyamid	PTFE

### INFORMATION

#### 3-Way-Ball Valve with threaded ports

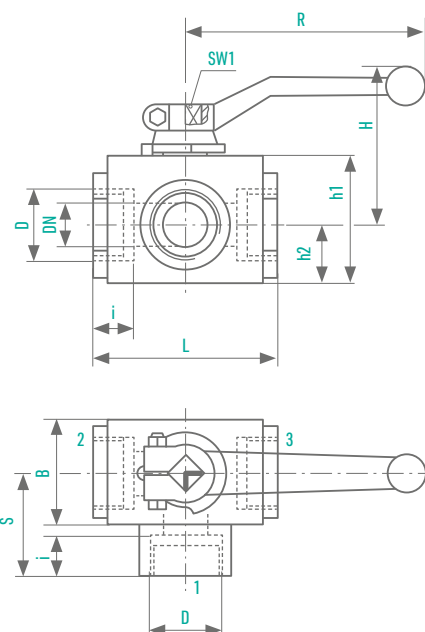
/// Construction without Zero-Position

/// The lever is included

### OPTIONS

/// Delivery on request with mounting plate.

/// Special designs on request



Connection	DN (mm)	OD Pipe (mm)	PN (bar)		D (mm)	i (mm)	L (mm)	B (mm)	h1 (mm)	h2 (mm)	D (mm)	H (mm)	R (mm)	SW1 (mm)	Wght (mm)	250210 250212 160216 160220 100225	250310 350312 350316 315320 250325	350710 350712 350716 315720 315725	 Ord.-No DUH L + ↓
			Polyamid	PTFE															
 2 For compression fitting, light series, DIN 2353	10	12	250*	100	M 18 x 1,5	11	80	30	35	15	51	36	90	8	0,5	250210			
	12	15	250*	100	M 22 x 1,5	12	96	35	45	18	66	40	130	10	0,9	250212			
	16	18	160*	100	M 26 x 1,5	12	105	40	50	21,5	68	42	130	10	1,1	160216			
	20	22	160*	100	M 30 x 2	14	110	45	55	24	77	47	180	10	1,4	160220			
	25	28	100*	100	M 36 x 2	14	120	55	65	30,5	82	52	180	12	2,3	100225			
 3 For compression fitting, heavy series, DIN 2353	10	14	350	100	M 22 x 1,5	14	80	30	35	15	51	39	90	8	0,5	350310			
	12	16	350	100	M 24 x 1,5	14	96	35	45	18	66	42	130	10	0,9	350312			
	16	20	350	100	M 30 x 2	16	105	40	50	21,5	68	46	130	10	1,1	350316			
	20	25	315	100	M 36 x 2	18	110	45	55	24	77	51	180	10	1,4	315320			
	25	30	250*	100	M 42 x 2	20	120	55	65	30,5	82	58	180	12	2,3	250325			
 7 BSP female thread, DIN ISO 228/1	10	-	350	100	G 3/8	12,5	60	30	35	15	51	33	90	8	0,5	350710			
	12	-	350	100	G 1/2	15	75	35	45	18	66	37	100	10	0,8	350712			
	16	-	350	100	G 1/2	15	75	40	50	21,5	68	40	130	10	1,0	350716			
	20	-	315	100	G 3/4	18	80	45	55	24	77	46	180	10	1,3	315720			
	25	-	315	100	G 1	20	90	55	65	30,5	82	53	180	12	2,2	315725			

Sche-  
me L

0  
3 1  
2  
Ord.-No  
DUH L  
+ ↓