



# Intensive multi-channel flat jet nozzles for air

## Series 600.383.35

### Series 600.383.35

The intensive multi-channel flat jet nozzles of the 600.383 series generate a concentrated, powerful air jet. Due to the flattened design, the jet depth of this nozzle always remains constant even at changing pressures. This permits precise operation even under changing conditions.



**Cost savings**

**8%**



**Noise reduction**

**10%**



**Materials**

Brass nickel plated,  
PVC



**Blowing force**

4.3 N at 2 bar



**Noise level**

86 db(A) at 2 bar



**Air consumption**

$V_{LN}=31 \text{ m}^3/\text{h}$  at 2 bar



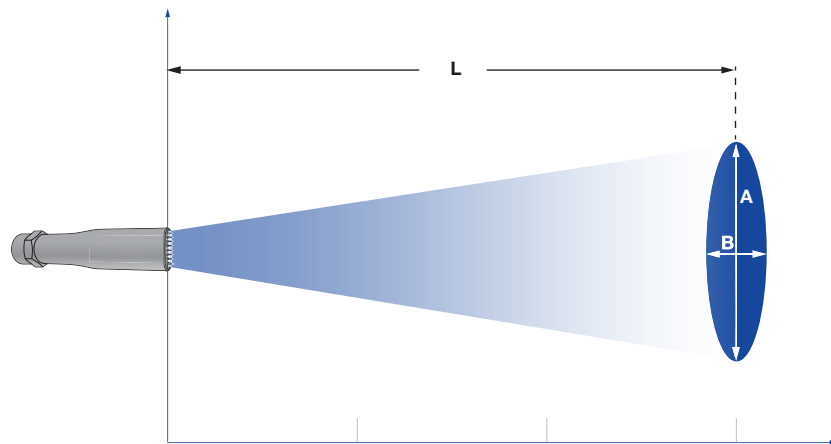
**Pressure**

$p_{\text{max}}=10 \text{ bar}$



**Max. temperature**

50 °C

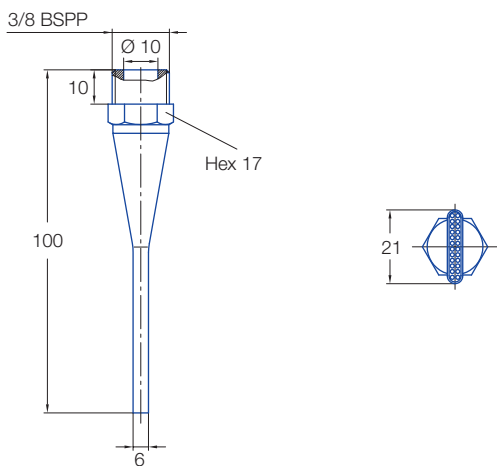


Jet pattern of 600.383.35 nozzle series

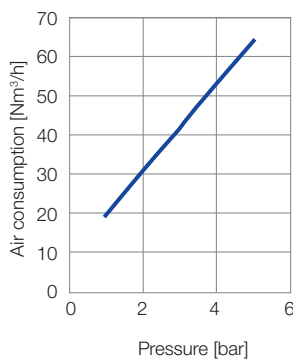
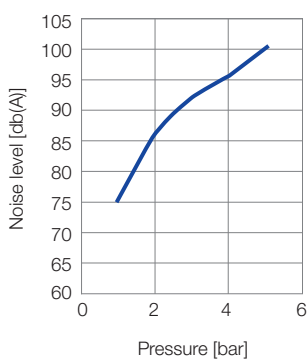
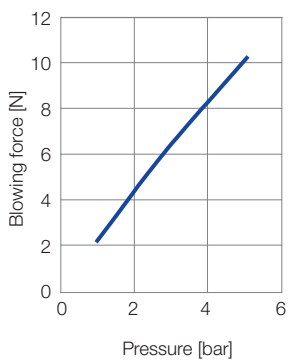
Pressure:	1 bar	3 bar	5 bar
Distance L [mm]:	900	900	900

Jet dimensions at L

A [mm]:	200	425	510
B [mm]:	230	230	230



### Technical data



Ordering no.		
Type	Mat. no.	Code
	<b>35</b> Brass nickel plated / PVC	3/8 BSPP
<b>600.383.</b>	○	<b>AE</b>

Example of ordering: **Type** + **Mat. no.** + **Code** = **Ordering no.**  
 600.383. + 35 + AE = 600.383.35.AE